

# Outdoor 1200 Braai Installation & Owner's Operation Manual



## outdoor BY METRO

Important information.....	2	Ember tool assembly.....	7
Assembling your Outdoor 1200 Braai .....	4	Important operation information .....	8
Outdoor 1200 Braai flue system installation ....	5	Operating your Outdoor 1200 Braai.....	9
Clearances and specifications .....	6	Cleaning and maintenance .....	10
Dimensions.....	6	Outdoor by Metro warranty.....	11
Floor protector requirements .....	7	Outdoor by Metro accessories.....	12

## **WARNING!** Important Information

- **WE HIGHLY RECOMMEND YOU READ THIS ENTIRE MANUAL AS INCORRECT OPERATION, MISUSE AND/OR LACK OF MAINTENANCE WILL VOID THE WARRANTY**
- The appliance and flue-system must be installed and operated in accordance with the detail contained within this manual and the appropriate requirements of the relevant building code or codes
- Any modification of the appliance that has not been approved in writing by the manufacturer is considered to be in breach of the warranty
- **DO NOT** use your Outdoor 1200 Braai for cooking purposes during the initial 2-3 burning cycles or after spraying with high temperature paint during regular maintenance

## **CAUTION!** Important Information

- Mixing of appliance or flue-system components from different sources or modifying the dimensional specification or components may result in hazardous conditions. Where such action is considered, the manufacturer should be consulted in the first instance
- **DO NOT** install your Metro Outdoor 1200 Braai if there is any sign of visible damage to the product
- Prior to installing the assembled flue pipe, take careful note to ensure there are no overhead power lines in close proximity.
- This appliance must be regularly maintained
- Use authorised Metro replacement parts only. The use of unauthorised parts may void the warranty
- This manual **MUST** be left with the home owner

### **Please take particular note of the following:**

- This is a freestanding appliance only and should not be built-in or inserted into any enclosure
- Ensure you are fully conversant with the contents of this manual. Correct installation is critical to safe operation and performance of this appliance
- The installation of the Metro Outdoor 1200 Braai may require building consent before installation commencing. Check with your local building authority whether there are any additional requirements for installation
- We recommend an NZHHA trained SFAIT (Solid Fuel Appliance Installation technician) to install the Outdoor 1200 Braai
- Please ensure that only components approved by the manufacturer are used for the installation, as substitutes may adversely affect performance and might nullify compliance with the requirements of this manual
- Your Outdoor 1200 Braai is extremely heavy weighing approximately 190kgs including the gather. During the installation process do not attempt to lift the appliance by yourself. Safe working practices and appropriate lifting equipment must be used to install this appliance to avoid accident or injury
- Please take care when lifting the Outdoor 1200 Braai into place as point loading may damage and/or scratch surfaces. We recommend a multi-person lift only. Ensure you keep weight central to avoid topple over during assembly and/or movement of the fire
- The high temperature Pioneer Zinc black paint is not fully cured until your first fire. Therefore please take care handling your appliance so as not to damage the coating. To fully cure the paint, light a moderate fire only. Over firing during the first lighting will damage the paint adhesion. Use a Pioneer Zinc Black aerosol for touch ups and any surface renovations.

## **Important Safety Information**

### **Please take particular note of the following:**

- **DO NOT** leave the appliance unattended during operation
- **DO NOT** touch external surfaces during operation. Parts of the appliance get extremely hot and could cause severe burns. Ensure children are kept a safe distance at all times and use the Outdoor mitts provided while the unit is in operation
- The use of alcohol, may impair the consumers ability to use this appliance in a safe manner
- **DO NOT** use flammable liquids or aerosols to start or rekindle the fire. Do not use flammable materials near this appliance when it is operating
- Always keep clothing, firewood, furniture, and other combustible materials at a safe distance from the fire
- **DO NOT** attempt to clean or maintain the fire when in use or with hot embers in the firebox. Ensure that embers and all other parts of the fire have cooled down completely before starting ash removal or any other maintenance
- **DO NOT** use the fire if there is a malfunction, suspicion of damage, or any unusual noises. Contact your nearest Metro specialist.
- **DO NOT** fit the stainless steel door to the appliance until the fire has completely cooled down
- **DO NOT** close off the front air vent at the base of the firebox beneath the burn tray

# Outdoor 1200 Braai Installation

## Installation location

Evaluate the location for your outdoor fire, surroundings, and neighbouring properties. The land's topography will have a bearing on how the wind and overall environment may affect the fire and flue system.

Consider surrounding trees, neighbouring property boundaries, buildings, or wooden fences. Locate the Outdoor 1200 Braai at a safe distance from any combustible objects, trees, shrubs, wood storage piles, buildings, property boundaries, or wooden fences. (See clearance detail on page 6).

## Elevation of fire

Decide the height of the fire installation above ground level. We recommend that your Outdoor 1200 Braai be installed 700-800mm above ground level to provide easy access and convenience during operation.

For a custom base/plinth design, we recommend a minimum base thickness of 125mm, designed and constructed with sufficient supports to bear the total weight of fire and the flue kit.

Alternatively, Metro manufacture a dedicated trolley base for this purpose.

## Floor protector

Floor protector requirements depend upon the elevation of the fire above ground level and the substrate beneath the installation.

- For an elevated installation of 500mm or more above ground level, only an Ash floor protector is required and must extend a minimum of 500mm out from the front face of the firebox.
- We recommend for installation heights below 500mm, the floor must be non-combustible and should extend a minimum of 700mm out from the front face of the firebox.
- Floor protectors must be constructed of non-combustible material and must be a minimum width of 1880mm. See page 7 for full details.

## Assembly of your Outdoor Braai

Your Outdoor 1200 Braai is wrapped in plastic, and tek screwed to a wooden pallet. Having removed the packaging and located this manual, please familiarise yourself with the illustration opposite and images on pages 4 & 5, and proceed as follows.

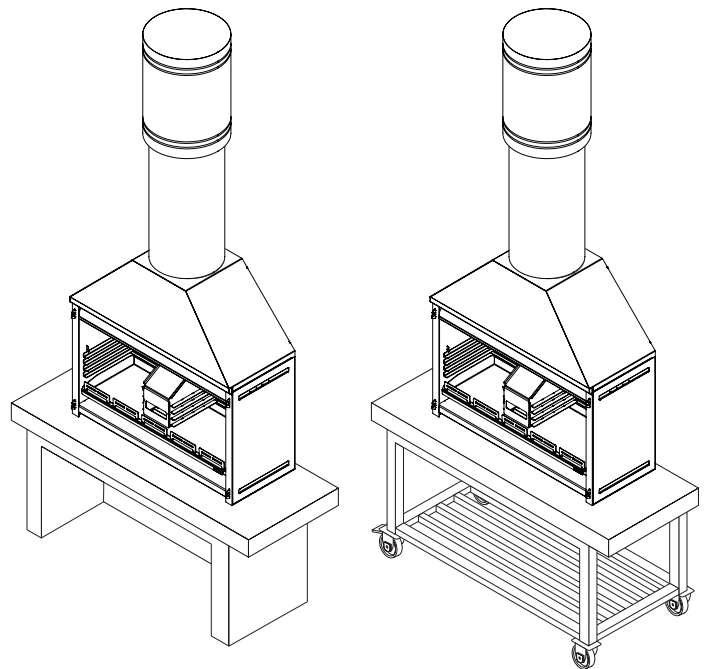
Your Outdoor 1200 Braai is supplied partially assembled.

Packed inside the firebox you will find the following:

- 2x stainless steel side panels
- 2x boxes of bricks (4x bricks)
- 2x stainless steel side racks
- 1x ember tool
- 1x pair of Metro fire mitts
- 2x stainless steel grill racks
- 1x stainless steel ember maker
- 1x grill basket
- 1x cast iron cooking plate
- 1x bolt bag of fastenings

You will also need the following tools (not included)

- 10mm ring spanner
- 8mm and 10mm socket ratchet
- Electric drill and 3.2mm drill bit to suit rivet
- 4mm and 5mm Hex key
- Pop rivet gun

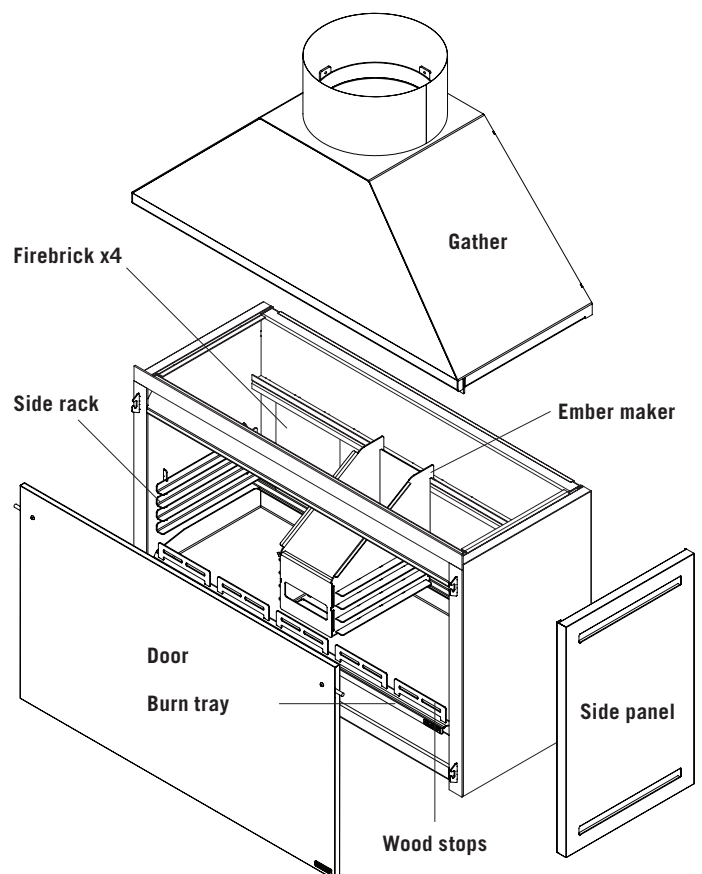


### Custom base installation

The Outdoor 1200 is designed for installation onto a non-combustible plinth or benchtop to your desired design or can be installed onto the Outdoor trolley base opposite.

### Trolley base installation

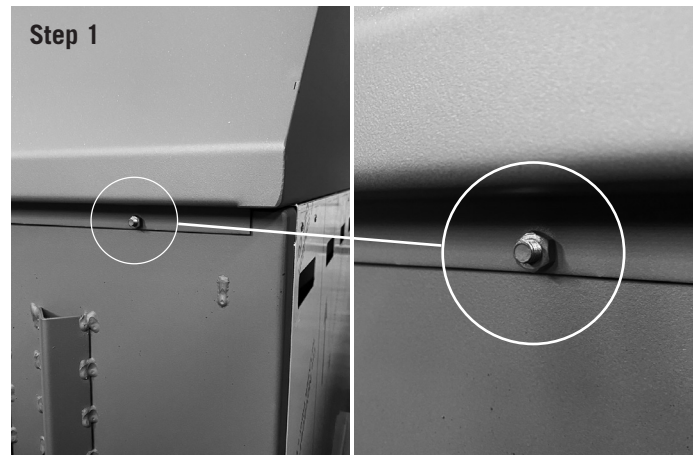
The aluminium and stainless steel trolley provides storage for your firewood and features built-in rails to slide the door neatly underneath the Outdoor 1200 during operation.



# Outdoor 1200 Braai Assembly

## Outdoor 1200 Braai assembly

- Once you receive your Outdoor 1200 Braai carefully remove the packaging and check for any freight damage.  
If any damage to the product is found once the packaging is removed, do not install and contact your Metro retailer immediately.
- The stainless steel door, rear heatshield and side panels are covered with a protective film for transit. This film must be removed from all panels prior to using the appliance.
- Remove the door and place in a safe place taking care not to damage the stainless steel finish. (For transport purposes the door is fitted onto the outer face of the firebox facing inwards). Remove all components inside the firebox to make it easier to carry the firebox into position.
- Using 2-4 people remove the gather from the top of the firebox. The gather is fixed to the firebox with 2x M6 bolts and nuts on opposing diagonal corners. (Step 1)
- The burn tray is held in place during transit using an R-clip located in the centre rear of the burn tray. Remove the R-clip to remove the burn tray from the Outdoor 1200.
- Remove the four tek screws located at the base of the firebox which secure the fire to the wooden pallet (Step 2) and using 4 people, carry the fire into position.
- Fix down using 4x 8mm fixings making sure the fire is fastened down securely. 4x M8 x 25mm dome head sockets and 4x 6mm spacer washers / shims are supplied if you have purchased the trolley. The spacer washers / shims go between the top of the trolley's stainless steel top and underneath the firebox where the fixing bolts go through into the trolley.
- Using 2-4 people, lift the gather back into position on top of the firebox ensuring the 4 x attachment holes are lined up with the holes in the top of the firebox.
- Unwrap the 2x stainless steel side panels and remove the plastic film. Position the side panels over the 2 x attachment pins at the bottom of the firebox first, leaning the panel up against side of the fire at the top (Step 3).
- Using the 4 x M6 x 25mm bolts and washers supplied, fix through the firebox and gather and into the thread in the side panel and tighten. Take care not to cross-thread these fixings.
- Remove the protective plastic film from the door and rear panel.
- Unbox the 4x firebricks. These fit along the rear wall of the fire and sit in the horizontal track. Standing in front of the fire you will see a cut out on the right hand side of the brick track (Step 4).
- On an angle placing a brick under the upper track fit into position. Push the bottom of the brick against the rear wall of the fire and once the brick is sitting flush against the rear wall, slide the brick along to the left hand side of the firebox. Leave approximately a 90mm gap to the side wall of the fire box to the first brick.
- Repeat until all four firebricks are in position. Make sure all firebricks are touching and central along the rear wall of the firebox.



# Outdoor 1200 Braai flue kit installation

## **⚠ WARNING!** Important Information

### **• WE STRONGLY RECOMMEND USING A QUALIFIED INSTALLER TO ASSEMBLE THE FIRE AND ERECT THE FLUE SYSTEM ON YOUR OUTDOOR 1200 BRAAI**

- Any modification to this flue system that has not been approved in writing by the manufacturer is considered to be in breach of all safety clearance approvals granted.
- Please note the edges of the flue system are very sharp.

## **⚠ CAUTION!** Important Information

- Mixing of appliance or flue-system components from different sources or modifying the dimensional specification or components may result in hazardous conditions. Where such action is considered, the manufacturer should be consulted in the first instance
- Prior to installing the assembled flue pipe, take careful note to ensure there are no overhead power lines in close proximity.

The Outdoor 1200 Braai has been tested with the Outdoor 1200 flue system only. For the Outdoor 1200 Braai to be installed with the minimal clearances as the clearance table on page 6 states, only the Outdoor 1200 flue system can be used. All other flue systems will invalidate the installation clearances.

The flue system is for a freestanding appliance only.

### **Outdoor 1200 Flue Kit Components**

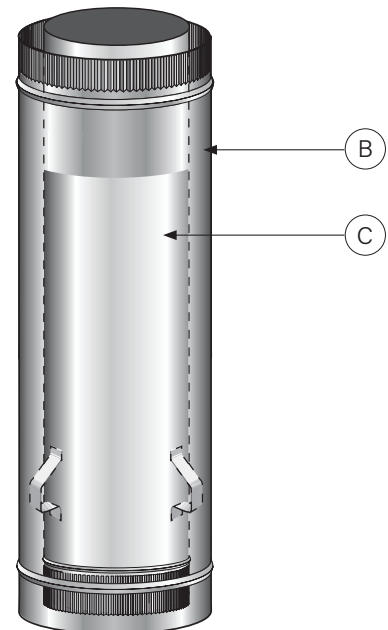
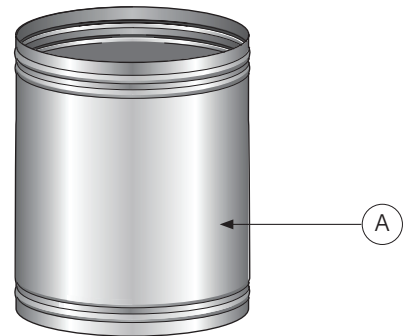
- (A) 1 x stainless steel vertical discharge Outdoor cowl housing
- (B) 1 x 400mm diameter x 1200mm stainless steel liner
- (C) 1 x 350mm diameter x 1200mm stainless steel flue pipe
- (+) 4 x M8x16 stainless steel dome head sockets  
4 x 8mm flat washers  
8 x 3.2mm stainless steel rivets

### **Flue installation**

Having positioned your Outdoor 1200 Braai in the desired location, check to ensure the fire and floor protector (if applicable) have adequate clearances and projections, and that the flue system is clear of all combustible surfaces and materials as detailed on page 6.

We recommend that you use nitrile gloves to assemble the flue system. This is due to hand and finger marking showing on the flue after burning the fire. It will also pay to clean the flue system after assembly using a microfibre cloth and methylated spirits (ensure there is no methylated spirits contamination to the painted surfaces of the appliance).

1. Unbox the 350mm flue with 4 x spacer tabs, 400mm outer liner (support liner) and the vertical discharge cowl.
2. Place the 350mm flue pipe inside the 400mm outer liner. Ensure the safe edge and the swage on the 350mm flue are at the same end. Attach the cowl to the top of the liner. Using a drill and suitable drill bit, drill 2 x holes per tab in the liner and attach using 3.2mm stainless steel rivets supplied.
3. When lifting the flue system vertically the 350mm will drop down (but not out) so that approximately 75mm protrudes making it easier to line up with the 350mm spigot. Once you have the 350mm flue placed into the spigot lower the 400mm liner down over the top of the 4 x threaded tabs. Line up the fixing holes and attach using the 4 x M8x16mm stainless dome headed sockets and flat washers and tighten.



# Outdoor 1200 Braai specifications (Minimum clearances shown in mm)

## Installation clearances

The Outdoor 1200 is for outdoor use only and cannot be installed inside the home. Confirm with the local building authority or Metro stockist for the outdoor fire regulations in your local area.

Installation clearances in the table below are to a combustible wall or fence to a maximum height of 2400mm. All clearances are measured from the following reference points as illustrated in the diagrams below:

- The nearest combustible wall or surface (A, B, C, D, E)
- The firebox / heatshield outermost point (A, B, C, D)
- The edge of the ash floor protectors non-combustible surface (C)

When applying the minimum side clearance (B) to your installation, the adjacent combustible wall or surface must not project forward of the Outdoor 1200 firebox opening.

## Installation

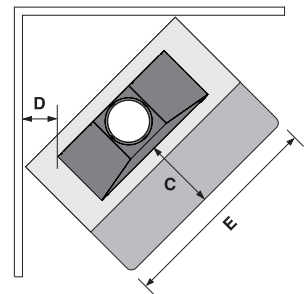
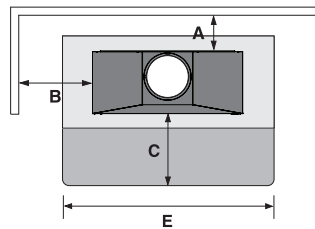
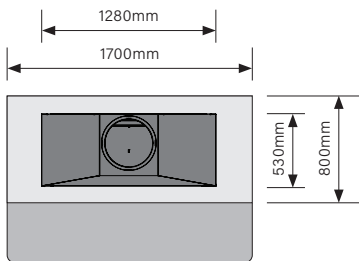
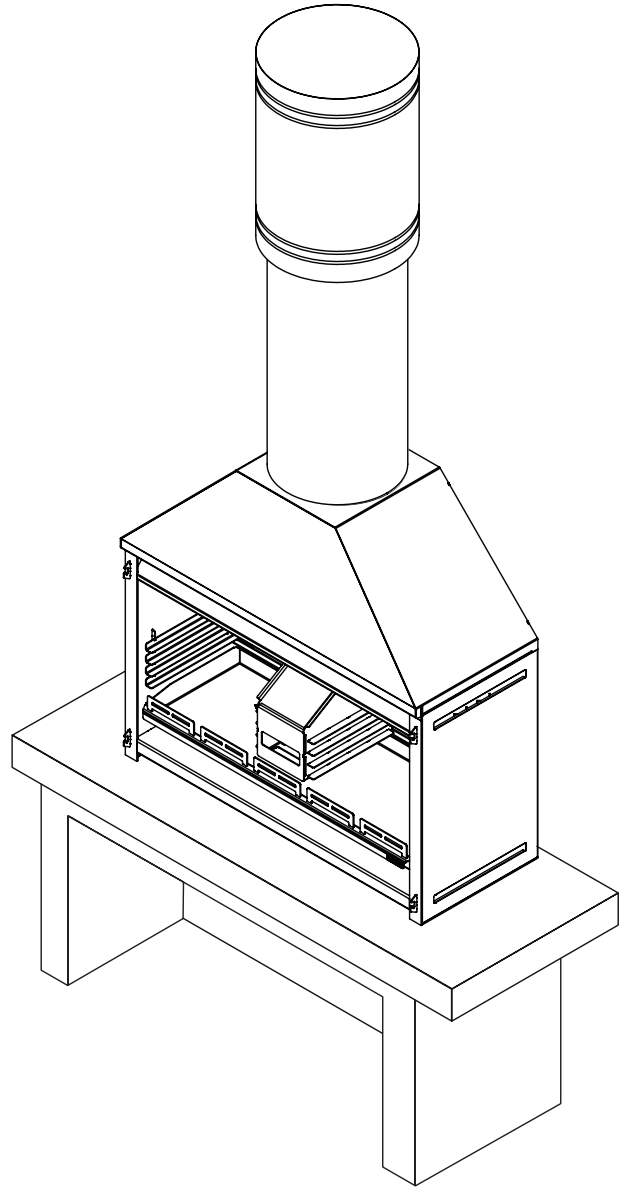
Do not install the Outdoor 1200 under a roof, verandah or the eaves of your home. A minimum clearance radius of 2m is required from the top of the flue cowl to any surrounding combustible object.

The Outdoor 1200 must be installed on a non combustible plinth or bench and secured by fixing points located in the base of the firebox or by locking the braked castors on the trolley once the fire is in place.

The Outdoor 1200 is fitted with a stainless steel door to protect the fire's interior when the appliance is not in operation. During operation, the door is easily removed and put aside. The trolley base features built-in door rails to slide the door (face up) beneath the trolley for convenient, practical storage.

If you are constructing your own base we recommend a minimum base height of 735mm with a minimum depth of 530mm to allow the door to hang down below the fire during operation. The front of the base must finish flush with the front of the Outdoor 1200 to allow the door to hang correctly. Alternatively, we recommend a base opening dimension of 1300mm wide with a depth of 750mm to allow you to fit door rails to the inside of the base to slide the door beneath the fire.

External structures and the proximity of other buildings will differ for every installation so before lighting your appliance, make sure your Outdoor 1200 is located away from buildings, structures, vegetation, and any other combustible objects by the minimum clearances detailed.



### Minimum installation clearances (mm)

### Dimensions

A	B	C	D	E	OUTDOOR 1200			TROLLEY BASE		
					WIDTH	DEPTH	HEIGHT	WIDTH	DEPTH	HEIGHT
250	500	500	250	1880	1280	530	1300	1700	800	735

Specifications were correct at the time of printing but may alter and those detailed within should be used only as a guide. Full assembly and installation instructions are detailed in the Outdoor Installation manuals available at [metrofires.co.nz](http://metrofires.co.nz). If in doubt, please consult your local Metro Fires stockist or visit [metrofires.co.nz](http://metrofires.co.nz).

# Floor protector size, construction and fitting

## Floor protector requirements

Only install or use on a non-combustible floor protector to the minimum size detailed when placed onto a combustible surface e.g wooden deck.

The Outdoor 1200 Braai only requires an 'Ash Floor Protector' to comply with the minimum floor protector requirements of AS/NZS 2918. These minimum floor protector requirements are;

- They must be of adequate size to give appropriate wall, rear and front clearances/projections as detailed in the chart illustrated on page 6.
- For an elevated installation of 500mm or more above ground level, the floor protector must extend 200mm horizontally to the rear and each side directly below the door opening, and 500mm out from the front face of the firebox
- We recommend for installation heights below 500mm, the floor must be non-combustible and should extend a minimum of 700mm out from the front face of the firebox.

- Floor protectors must be constructed of non-combustible material and must be a minimum width of 1880mm.

A suitable floor protector for an Outdoor 1200 Braai is therefore any non-combustible material which could include;

- Cement based tiles or similar with grouted joints fixed directly to a hard base over combustible flooring
- A sheet of panel steel etc. laid directly onto any combustible floor.

Once installed all minimum clearances and floor protection dimensions must be adhered to. This includes the critical clearances vertically and the clearance radius of the flue system termination.

## Ember tool assembly instructions

Your Outdoor 1200 Braai comes complete with an ember tool. Packed inside the fire is the tool head and aluminium handle.

The ember tool includes: 1x stainless steel tool head, 1x aluminium handle, 4x M6x8mm stainless steel dome head sockets, 4x 6mm flat washers.

### Assembly of the ember tool

Insert the stainless-steel tool end into the aluminum extruded handle. Line up the holes and use the 4x M6x8mm stainless dome head socket screws with washers (1 washer under each bolt head). Insert bolts and tighten.



## **WARNING!** Important Information

- **WE HIGHLY RECOMMEND YOU READ THIS ENTIRE MANUAL AS INCORRECT OPERATION, MISUSE AND/OR LACK OF MAINTENANCE WILL VOID THE WARRANTY**
- DO NOT use flammable liquids or aerosols in the vicinity of this appliance when it is operating
- DO NOT dry clothes on or near this appliance
- DO NOT use flammable liquids or aerosols to start or rekindle the fire OR store fuel within the Metro's specified installation clearances
- Never operate your Outdoor 1200 Braai with the door panel in place
- This appliance is designed to burn clean/dry wood only.

## **CAUTION!** Important Information

- This appliance should be maintained and operated at all times in accordance with this instruction manual
- DO NOT use driftwood, treated or unseasoned (wet) fuel, the use of most types of preservative treated wood as fuel can be hazardous and will damage your appliance
- This appliance must be regularly maintained and replacement parts must be authorised Metro parts only
- DO NOT empty ash into a combustible container.

## Congratulations on the purchase of your Outdoor 1200 Braai

This outdoor appliance is designed to give you many years of warmth and enjoyment, subject to the following key factors. These key factors, if not adhered to are the major causes of unsafe installation, poor performance, flue blockages and potential product failure.

1. Your Outdoor 1200 Braai must be installed and operated correctly.
2. The only fuel to be used in this appliance shall be wood that meets the following criteria.
  - Less than 25% moisture content
  - Has not been treated with preservatives or impregnated with chemicals or glue,
  - Is not chipboard, particle board, or laminated board,
  - Is not painted, stained or oiled
  - Is not driftwood or other salt impregnated wood
3. The appliance shall be operated at all times in accordance with the "Installation and Operating Instructions" supplied with each appliance.
4. Coal must not be used as a fuel.

Please also note the following important points:

- During the very first fire your Outdoor 1200 Braai will give off an odour and fumes as the firebox paint cures. Do not be alarmed; this curing process will last for approximately one hour and is likely to happen this one time. Ensure the first firing is a moderate burn only as over firing during the first burn can damage the uncured paint finish

- Properly seasoned (dry) timber is necessary for the Outdoor 1200 Braai to operate efficiently; firewood that contains a high moisture content will result in flue pipe blockages, reduce heat output and create other issues.

*Note: Once split, Softwood usually takes 12 months to season - Hardwood can take up to 24 months to season - Wood must be stored in a location that enables air circulation. Unseasoned wood stored in a closed woodshed without air circulation will still be unseasoned 12 months later.*

- It is critical that the fire not be operated with over worn, faulty or missing bricks, or burn tray

Please note, the above points require regular inspection/maintenance (every time the burn tray is cleaned out) and if not maintained will void the firebox warranty. A glowing firebox or fluepipe parts is just one sign you are over firing your appliance. Please ensure you keep your proof of purchase/receipt on any parts you purchase.

- For optimum performance fuel must be loaded so the logs lay 'front to rear' in preference to laying across the width of the firebox. Spaces should be left between the logs to enable oxygen to get to as much of the surface of the fuel as possible
- The Outdoor 1200 Braai Corten steel firebox is covered by a 2 year warranty against defective materials and workmanship. The flue system, panel coatings, firebricks and all other internal parts and accessories are covered with a 12 month warranty.

## **WARNING!** Important Information

- **ALL SURFACES WILL GET VERY HOT. DO NOT TOUCH OR PLACE ANY COMBUSTIBLE COMPONENTS ON OR AGAINST YOUR APPLIANCE**
- Be aware of small children near the appliance during operation. We recommend you install a child guard for adequate safety
- DO NOT use the Outdoor Braai without its burn tray in place. Make sure it is always in the factory position sitting on top of the 4 side pins. Make sure the burn tray is in good working order (no holes etc). Never light your fire in the base of the fire box structure, this will damage the fire and void any warranty

- DO NOT let embers overflow the burn tray. This may super-heat the sides of the fire and cause permanent damage
- DO NOT use your Outdoor 1200 Braai without a complete set of firebricks in place. Replacement bricks can be purchased from your local Metro stockist
- DO NOT use your Outdoor 1200 Braai for cooking purposes during the initial 2-3 burning cycles or after spraying with high temperature paint during regular maintenance

Panels may move and distort slightly when operated at peak heat.



# Operating your Outdoor 1200 Braai

Operating your Outdoor 1200 Braai is simple and you will quickly learn how to get the best from it. First take a minute to familiarise yourself with your new Outdoor 1200 Braai and the cooking accessories supplied with it.

- Ensure that all packaging material is removed from inside and outside the firebox assembly prior to lighting
- Ensure that all internal components that were removed during installation are put back into the firebox and located correctly.
- Prior to lighting, setup your Outdoor 1200 for cooking or using as a fireplace only, as detailed below:

## Start up - Fireplace only

1. Remove the stainless steel door. If you have the trolley base, the door can be slid (face up) under the trolley onto the door storage runners.
2. Ensure the wood stops are fitted to the front edge of the burn tray.
3. Stack around 20-30 pieces of kindling in 2-3 piles across the burn tray, placing firelighters under the kindling and light the fire.
4. Add large size logs gradually and keep building the fire. When loading logs, place them end-on, 'front to back'; air spaces should be left between the logs to enable oxygen to get to as much of the surface of the fuel as possible.
5. Ensure the burn tray is not overloaded during operation to prevent any fuel spilling out. Do not load firewood above the top of the wood stops.

Initial burns will create a bed of ash in the burn tray. Always maintain a 20mm thick bed of ash for subsequent burns.

## Start up - Cooking operation

The Outdoor 1200 Braai comes standard with 2x stainless steel side racks and cast iron cooking plate for using the ember maker in the centre of the firebox. Ensure the ember maker is located correctly prior to use.

You can also place the ember maker to the left or right hand side of the firebox if using the optional large stainless steel grill and support bracket. See cooking setup options detailed opposite.

1. Using hard wood (Pohutakawa, Puriri etc) cut dry kindling pieces 200-300 mm long and place vertically in the ember pot. To help start the hardwood place 2-3 pieces of pine cut into a similar size and place in the ember maker with the hardwood.
2. Using a few fire lighters placed onto a piece of fuel slide this into the burn tray under the ember maker and light. Within 10 minutes the fuel in the ember pot should be entirely ablaze.
3. After 30 minutes, embers will start falling through the bottom of the ember maker into the burn tray.
4. The fuel and embers can be broken up and spread around the burn tray using the ember tool provided. Moving the burning fuel within the ember maker will help the embers fall.
5. Keep loading fuel into the ember maker until you reach the desired ember level in the burn tray for your cooking. You can continue to run the ember maker throughout the cooking process to continually top up the ember base.



## Cooking setup (standard)

The ember maker is located in the centre of the Outdoor 1200 to allow the stainless steel cooking grills and cast iron cookplate to be placed on each side.

The side racks and ember maker offer a range of grill heights so you can cook a variety of different foods at the same time.



## Cooking setup (optional)

The ember maker can be easily located to either side of the Outdoor 1200 for the optional large grill to be used.

An additional support bracket is included with this grill which simply locates between the two centre firebricks on the rear wall of the firebox (see below).



## Support bracket placement

To use the optional large grill, you will need to fit the additional support bracket supplied.

Spread the two central rear firebricks enough to access the slots in the firebox rear wall and insert the grill support into these.

Push the firebricks back against each side of the bracket and lift the optional large grill into place.



## Outdoor fireplace

The side racks, ember maker and cooking grills are easily removed to use as an outdoor fireplace. Wood stops are fitted to the front of the burn tray to contain the fuel load during operation.

Ensure you take care when removing the hot cooking grills from the fire and place them onto a non combustible surface well out of harms way.

# Cleaning and maintenance for your Outdoor 1200 Braai

Your Outdoor 1200 Braai will give you many years of efficient service with minimal maintenance if operated correctly using seasoned fuel. Your Outdoor 1200 Braai must be regularly maintained and replacement parts must be authorised Metro fires parts only.

The Outdoor 1200 Braai is finished with 'Pioneer Zinc Black' high temperature paint formulated for outdoor use to provide a high level of corrosion resistance. The Outdoor 1200 Braai will require periodic repainting to keep it looking its best.

DO NOT USE your Outdoor 1200 Braai for cooking purposes after spraying with high temperature paint during regular maintenance. Ensure all paint has cured before cooking.

All surfaces can be cleaned with a soft cloth when the appliance is not in operation.

- Always use the stainless steel door to protect the fire's interior when the appliance is not running. The stainless steel door should only be put on when the fire has completely cooled down
- Depending on usage we recommend cleaning the interior of the fire every couple of months or around every 3-4 burns
- Remove excess ash from the burn tray (see details below)

## Fire bricks

Hair-line cracks are not uncommon and are a result of the intense heat within the Outdoor 1200 Braai's firebox, coupled with mechanical damage caused by accidental impact when fuel is being loaded. However if the fire bricks become cracked to the extent that they start to break up and fall into the burn tray, they must be replaced.

## Ash removal

Depending on the amount of use, over a period of time ash will build up in the burn tray of the Outdoor 1200 Braai firebox and require removal. The time this build-up takes depends on the density and cleanliness of your fuel.

To remove the excess ash your fire should not be operating.

- Using a hearth shovel or similar, empty the excess ash directly into a steel or non-combustible container
- If the ash is not disposed of immediately, be careful where you store it, as the ash can retain heat for many days and become a fire hazard
- The burn tray is easily removed by lifting off the tray lugs which are located on both left and right hand sides at the front of the burn tray.

## Replacement parts

Your Outdoor 1200 Braai must be regularly maintained and we recommend it is also serviced annually. If a wood fire is not regularly maintained and serviced, the life span will be reduced.

If your Outdoor 1200 Braai has been neglected, by not being regularly maintained and serviced, with authorised Metro parts replaced as required, your warranty may be declined.

Sacrificial wear parts should be replaced as soon as they show signs of wear. Operating your Outdoor 1200 Braai with worn or broken parts may result in damage to the firebox. We recommend a regular check of all these parts and other parts of the burner.

The following parts of the Outdoor 1200 Braai are considered consumables. These parts will wear out or degrade over time. These items are considered as operational consumables:

- Firebricks
- Stainless steel wire cooking grills and side brackets
- Stainless steel ember pot/maker
- Burn tray

The burn tray is designed as a sacrificial base inside the firebox and will deteriorate over time. It must be used when the fire is in operation. Once it deteriorates to the point where it can no longer contain ash and/or embers (e.g. has holes burnt through it) it must be replaced.

## Flue system

The flue pipe should be checked at least once a year, or as required depending on amount of use and noticeable deposits. The frequency of flue pipe cleans depends on many factors, with the main variables being:

- The seasoning of the wood. If not properly seasoned you will require frequent flue pipe cleans
- The density of the wood. Softwoods generally result in more deposits building up in the flue pipe

Check the flue sections nearest the firebox and if the flue system is becoming excessively blocked or requires frequent cleaning, check the flue installation, fuel quality and/or operation with a qualified service agent.

## Surface renovations

Your appliance is made from Corten steel and stainless steel and the high temperature paint finish is zinc based. All these attributes contribute to extending the life of your Outdoor 1200 Braai.

To maintain the cosmetic appearance you will need to regularly maintain the surface. The extent of necessary maintenance will be determined by the time between renovations, length of time the appliance remains outside and the vicinity of salt laden air to the appliance (coastal installations).

The firebox, gather and burn tray are all coated in Pioneer Zinc Black high temperature paint. You can purchase high temperature Pioneer Zinc Black paint in an aerosol from your Metro retailer.

# Warranty details for your Outdoor 1200 Braai

Outdoor by Metro fires are manufactured in New Zealand, using the highest quality of materials, workmanship and the latest manufacturing techniques, which is why we offer a full 2 year firebox warranty and a 12 month parts warranty for your peace of mind.

## Metro Warranty

(NZ Consumer laws apply to this warranty)

Pioneer Manufacturing Limited (Pioneer) warrants the Corten steel firebox against defective materials and workmanship which would render it unfit for normal domestic use, from the date of purchase by the original consumer, for a period of 2 years.

Components including flue systems, panel coatings, firebricks and all other internal parts and accessories are warranted for a period of 12 months from the date of original purchase for normal domestic use against defective materials and workmanship.

Please ensure you retain your proof of purchase/receipt for the appliance and any parts you purchase.

## Warranty Conditions

- The Outdoor 1200 Braai must be installed, operated and maintained strictly in accordance with this installation/operation manual
- The Outdoor 1200 Braai must be installed and used in a domestic outdoor application
- This warranty covers appliance like for like replacement or repair at the manufacturer's discretion but excludes freight, travel, installation, labour and/or any other associated costs
- Pioneer or their agents are not liable for any loss or expense direct or indirect arising from the failure of any part or operation of the appliance
- Operation of this appliance in violation of the warnings in this operation and installation manual will void this warranty
- Your Outdoor 1200 Braai must be regularly maintained and we recommended it is also serviced annually. Proof of servicing may be required. If a wood fire is not regularly maintained and serviced, the life span will be reduced. If your Outdoor 1200 Braai has been neglected, by not being regularly maintained and serviced, a warranty claim may be declined

- It is critical the fire not be operated with over worn, faulty or missing parts, firebricks or burn tray
- A claim under this warranty should be directed to the retailer who supplied the Outdoor 1200 Braai. If this is not possible, write directly to the manufacturer stating details of fault, model, dated proof of purchase and name of retailer purchased from.

## Warranty Exclusions

(This manufacturer's warranty does not cover)

- Service calls which are not related to any defect in the product (i.e. operational, installation or fuel issues). The cost of a service call will be charged if the problem is not found to be a product fault
- Defects caused by factors other than normal domestic use or use in accordance with the product's operation manual
- Defects caused through the product being operated in an 'over-fired' manner resulting in sections of the firebox operating excessively hot to the point that sections glow red. (Note – This will result in distortion of the firebox)
- Defects to the product caused by accident, neglect, misuse or act of God
- The cost of repairs carried out by non-authorized repairers or the cost of correcting such unauthorised repairs
- Required maintenance as set out in this manual.
- Surface oxidation is not a warrantable issue for outdoor appliance installations.

Service under this manufacturer's warranty must be provided by a repairer authorised by Pioneer Manufacturing Ltd. Such service shall be provided during normal business hours.

 **IMPORTANT!** Complete and retain these details at time of purchase:

Purchase Date

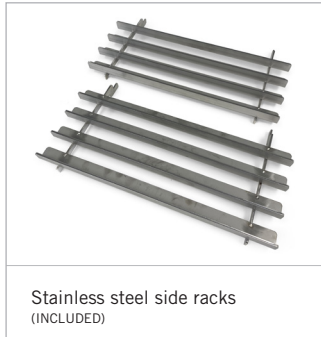
Model

Retailer

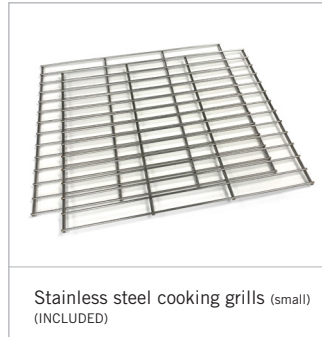
# Outdoor 1200 accessories

Pioneer/Metro Fires offer a range of heating accessories designed to compliment your Outdoor 1200 Braai. See below for the cooking accessories included with the Outdoor 1200 Braai and other outdoor products within our heating accessory range. The range of accessories includes cooking implements, paint, bricks and more.

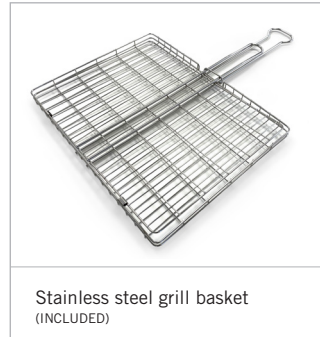
For further details ask your Metro stockist for a copy of the Outdoor by Metro brochure, or visit [metrofires.co.nz](http://metrofires.co.nz) to download a copy.



Stainless steel side racks  
(INCLUDED)



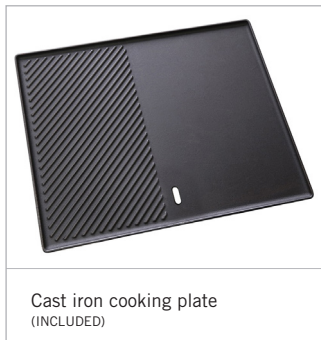
Stainless steel cooking grills (small)  
(INCLUDED)



Stainless steel grill basket  
(INCLUDED)



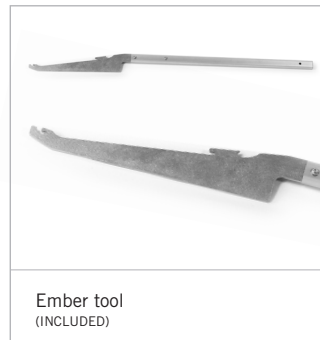
Ember maker/pot  
(INCLUDED)



Cast iron cooking plate  
(INCLUDED)



Outdoor fire mitts  
(INCLUDED)



Ember tool  
(INCLUDED)



Burn tray wood stops  
(INCLUDED)



Stainless steel cooking grill (large)



Pizza cutter



Wooden pizza paddle



Paint aerosols