

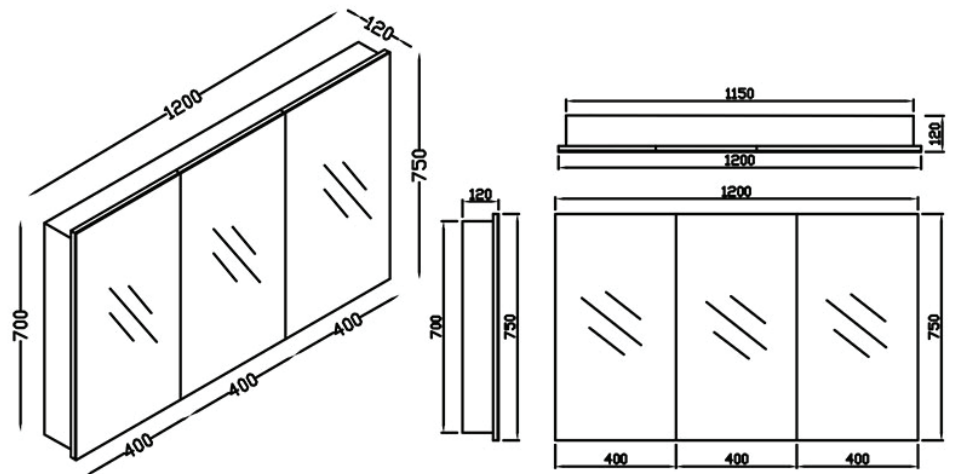
MIRROR CABINET Glass shelves 1200mm, 3 x door

KZMG1200WH

1200mm wide x 120mm deep x 700mm high mirror cabinet

Features:

- Dual glass shelves behind each door.
- Door hinges are strategically positioned to avoid line of sight.
- Soft close, quick release hinges to assist with the cabinets installation.
- Glossy white painted finish over E-ZERO MDF (a low formaldehyde emitting MDF product of less than 0.5mg/L).



CARE AND USE CABINETS

Wood veneers, laminates or lacquered finishes should be regularly wiped clean with non scouring, neutral wash solutions. Never use an abrasive cleaner or petroleum based products.

LIMITED PRODUCT WARRANTIES

To be read in conjunction with and subject to all terms and conditions contained in the Waterware 'Producer Statement' available on-line (<http://www.waterware.co.nz/media-downloads>)

From date of purchase, Waterware Services warrants products from the following categories to be free from manufacturing defect subject to exclusions (if applicable):

Category	Domestic Installations	Commercial Installations	Exclusions
Vanity cabinets and furniture	5 years parts and labour	1 years parts and labour	None